



**ESCAPE ACOUSTICAL DESK DIVIDER WITH FREESTANDING MOUNT 18"H | 5 WIDTHS |
15 COLORS AVAILABLE**



\$104.73

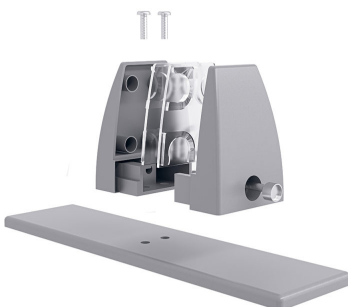
- 18"H
- Acoustical value helps to block out distracting office sounds
- Zero emissions
- Made from recycled plastic bottles (PET material)
- Panel thickness: 12mm (~1/2")
- Round edges are standard
- 3 mounts included for sizes 59"W and 71"W
- Custom sizes available. Please contact a sales associate for additional information.
- NOTE: Due to the manufacturing process one side may be rougher than the other



- This is a custom made product and returns are not accepted

SKU: DS-DMCPL-PET-18H

GALLERY IMAGES



PRODUCT DESCRIPTION

Our 18" tall desk screens and privacy dividers are designed to enhance the personal space, safety, and privacy between people & employees. Privacy screens create artificial barriers on desktops, tables, and worksurfaces. Additionally, the material we use (PET) to make these acoustic privacy screens helps reduce the amount of distracting, ambient noise.

PET (Polyethylene Terephthalate) is a lightweight, felt-like material which helps diminish noise within a work environment. It's made from 100% recycled plastics such as soda bottles and food packaging. Also, because the PET material is soft and dense, it reduces high-frequency noises which frequently distract people while at work.

Our privacy screens come with metal desktop clamps which are adjustable. Each panel offers over a



Skutchi Designs, Inc.

(888) 993-3757
sales@skutchi.com

dozen colors. Our acoustic privacy screens are available in widths of 23", 35", 47", 59", or 71". They ship within 2 business weeks.

Finally, we offer customization for all our **eSCAPE** products made from PET. We can add flourishes, logos, and corporate branding. Customization is available for an additional design fee plus the cost of the item.

The acoustic privacy screens can be used in a variety of ways. For example, on tables, countertops, desks, or any shared surface in your workplace. Custom sizes are available (call for assistance).