

CUBICLE DOOR CATALOG

Specifications and Installation Guide



888-993-3757



skutchi.com



Cubicle Door Features

Cubicle doors add additional privacy to any cubicle workspace. Each door consists of a 1/8" sheet of frosted acrylic inside a lightweight aluminum frame. A universal mounting bracket (included) attaches to the side of the adjoining panel. This allows the door to glide easily when opening or closing.

This door features a frosted acrylic panel. Meaning it is translucent, but not transparent. This allows light to pass through without compromising privacy.

Available Sizes

52"H	65"H
36"W x 52"H	36"W x 65"H
42"W x 52"H	42"W x 65"H
48"W x 52"H	48"W x 65"H

**Please Read Regarding Sizing for the Doors

For the 36"W door:

Actual door width – 35.5"

Closes a door gap up to 28"

Minimal adjacent panel width (for mounting the bracket) – 35.5"

For the 42"W door:

Actual door width – 41.5"

Closes a door gap up to 34"

Minimal adjacent panel width (for mounting the bracket) – 41.5"

For the 48"W door:

Actual door width – 47.5"

Closes a door gap up to 42"

Minimal adjacent panel width (for mounting the bracket) – 47.5"

Additional Info:

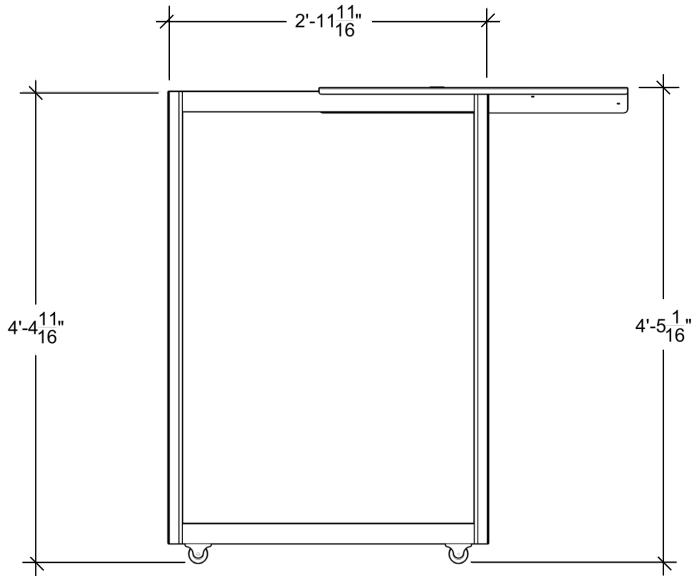
- Mounting bracket included
- Requires a minimum panel thickness of 2".
- Cannot be mounted to glass cubicle panels

36"W x 52"H

UNI-DR-3652

Dimensions: 35 11/16"W x 53 1/16"H x 2 9/16"D

Door Thickness: 1 3/8"

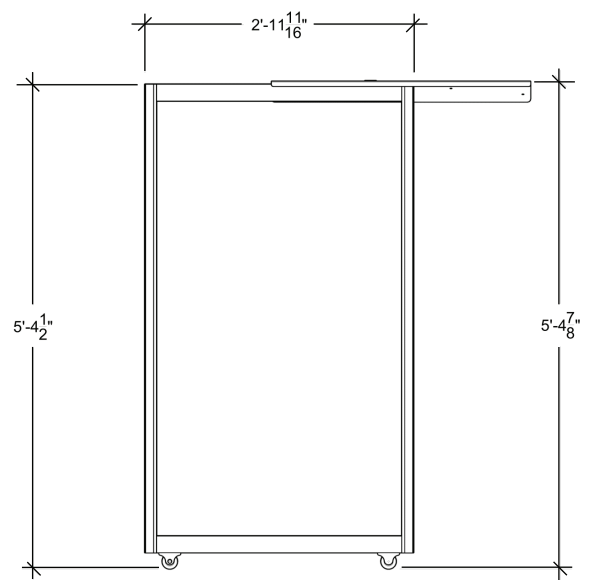


36"W x 65"H

UNI-DR-3665

Dimensions: 35 11/16"W x 64 7/8"H x 2 9/16"D

Door Thickness: 1 3/8"

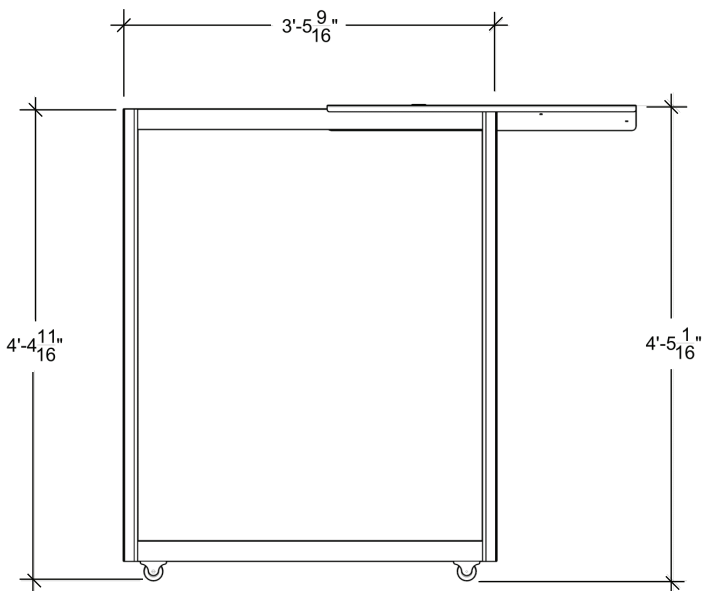


42"W x 52"H

UNI-DR-4252

Dimensions: 41 9/16"W x 53 1/16"H x 2 9/16"D

Door Thickness: 1 3/8"

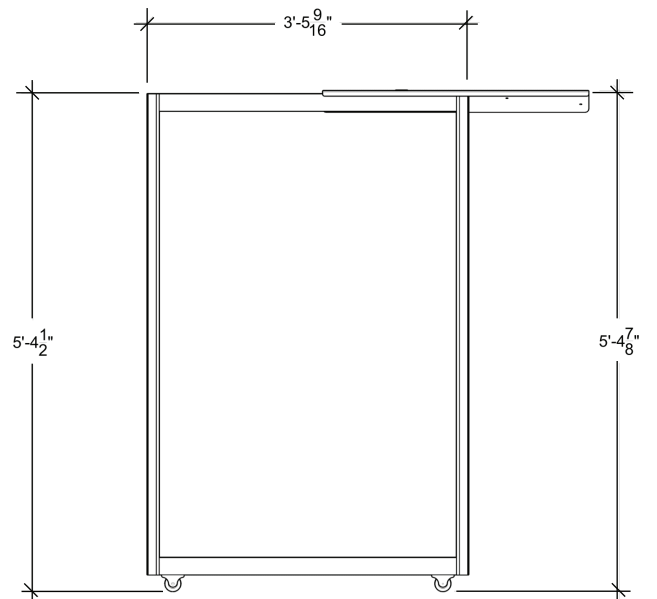


42"W x 65"H

UNI-DR-4265

Dimensions: 41 9/16"W x 64 7/8"H x 2 9/16"D

Door Thickness: 1 3/8"

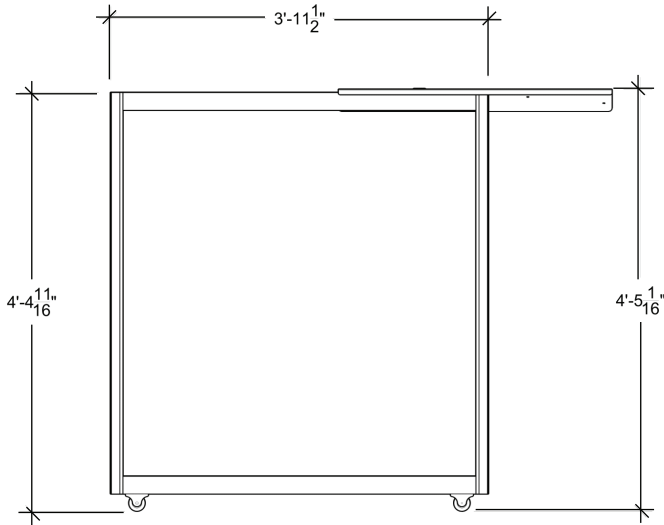


48"W x 52"H

UNI-DR-4852

Dimensions: 47 1/2"W x 53 1/16"H x 2 9/16"D

Door Thickness: 1 3/8"

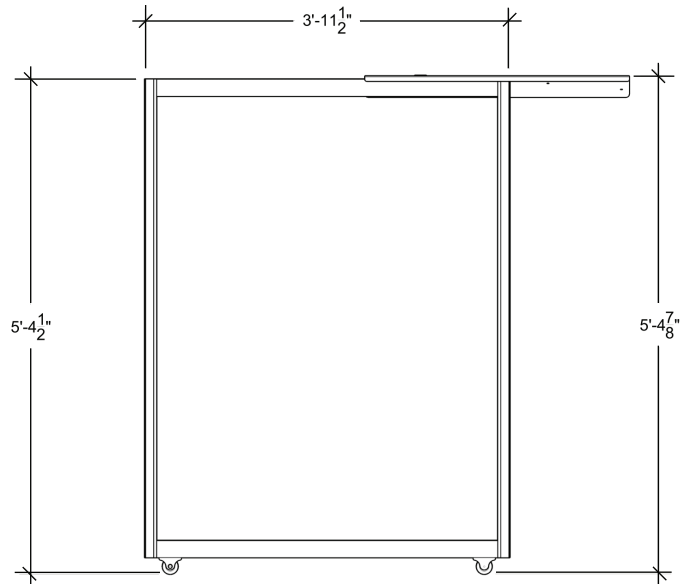


48"W x 65"H

UNI-DR-4865

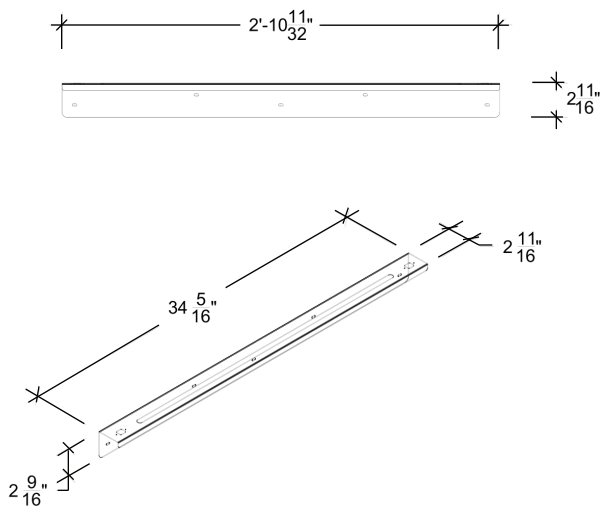
Dimensions: 47 1/2"W x 64 7/8"H x 2 9/16"D

Door Thickness: 1 3/8"



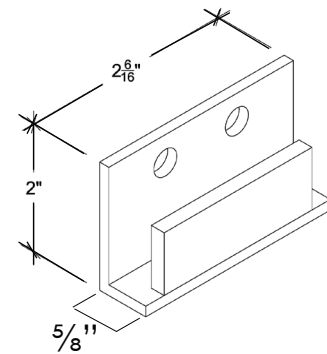
Track Bracket

Dimensions: 34 5/16"L x 2 11/16"W x 2 9/16"H

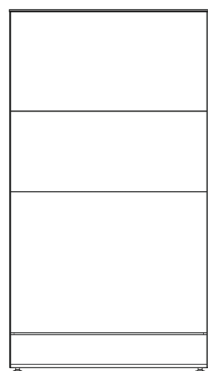


Bottom Clip

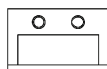
Dimensions: 2"H x 2 6/16"W x 5/8"D



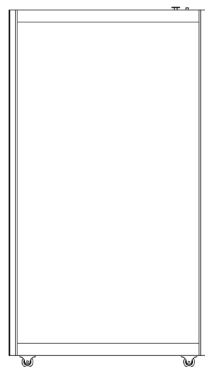
What you'll need:



Cubicle Panel



Bottom Clip



Cubicle Door



Track Bracket



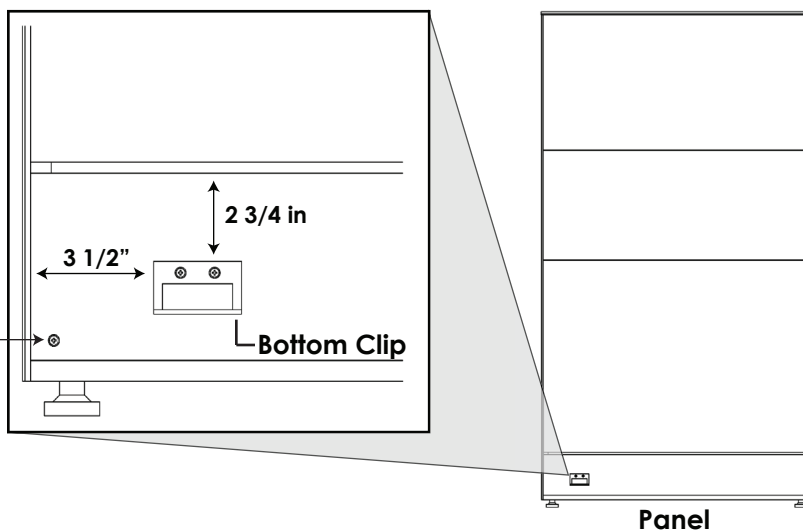
Screws

Step 1: Attach bottom clip to cubicle panel

Using the shorter self tapping screws, secure bottom clip to the panel. Refer to measurements for placement.

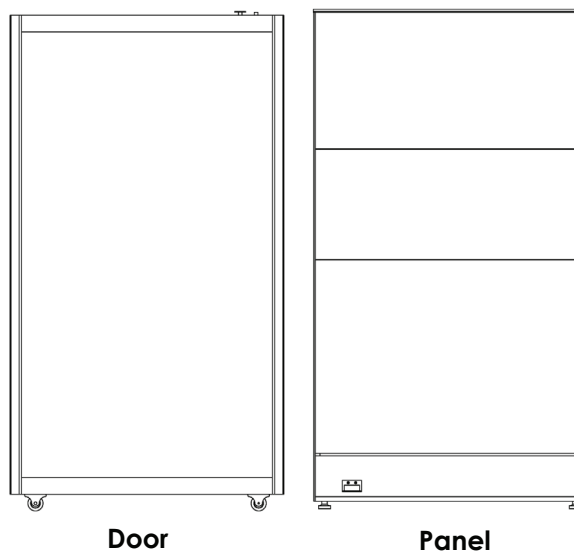
***Please Note:**

If there is a raceway at the bottom of the panel you must secure it closed with a screw before mounting bottom clip.

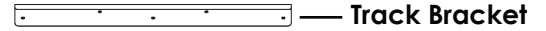


Step 2: Attach door to bottom clip

Attach door to bottom clip by placing the ledge near the bottom of the door on to the bottom clip.



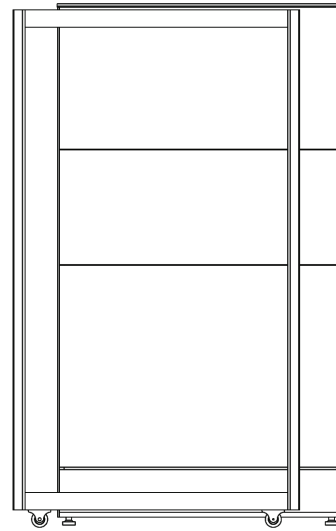
Step 3: Attach bumper to track bracket and place on top of door.



-Insert sliders of the door into opening of the track bracket.

-Mark the holes on the panel to know where to screw in.

-Next, remove door.



Step 4: Secure track bracket to panel using screws provided

-Using the longer screws, secure the track bracket to the panel making sure it is flush to the width of the panel.

***NOTE: Make sure track bracket is as close to the edge of the panel as possible.**

-Reinstall door.

