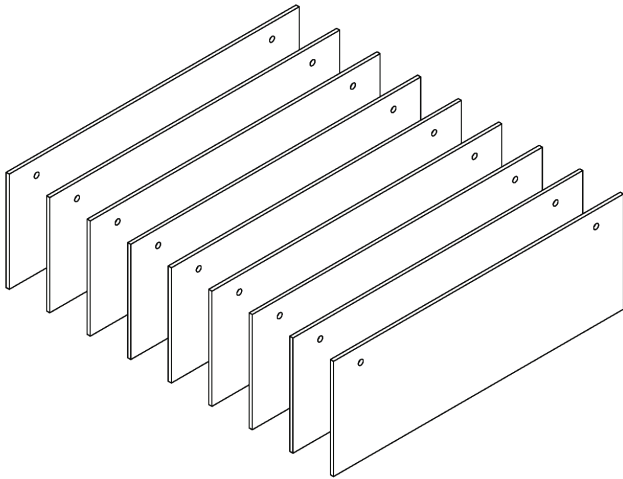


BAFFLE INSTALLATION GUIDE

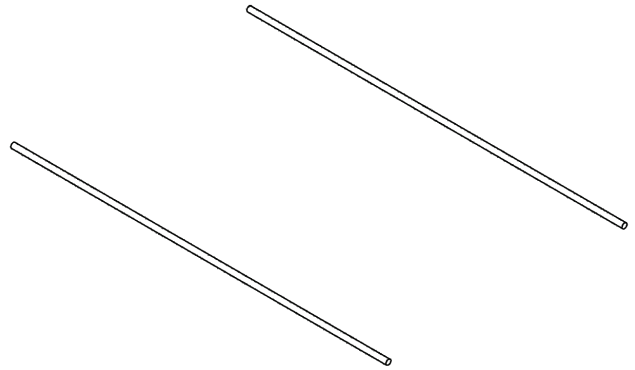


*Ceiling Mount Not Provided

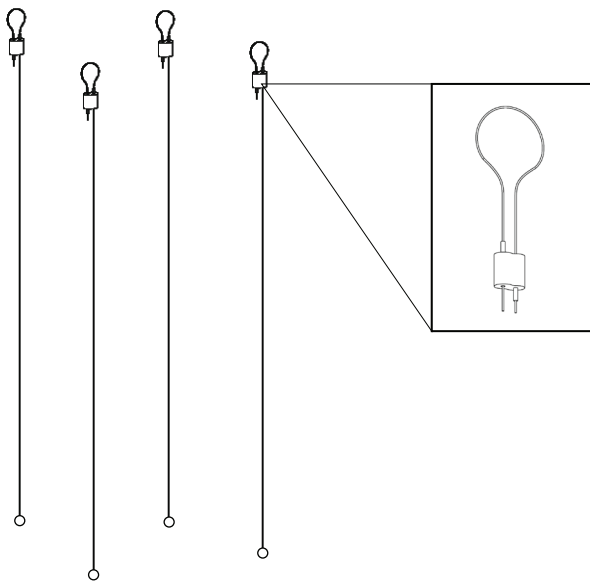
Installation Parts



Baffles



Poles



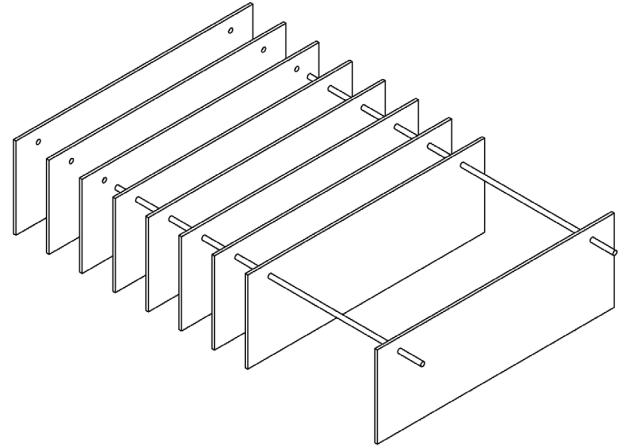
Cables with Looping Grippers

Baffle Installation Guide



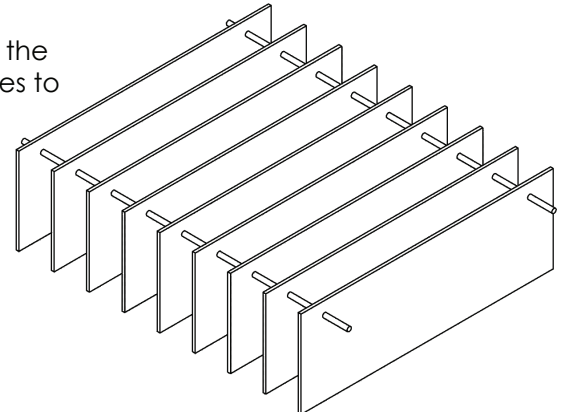
Step 1:

Slide the baffle panels onto the poles leaving a 6 in space between each one.



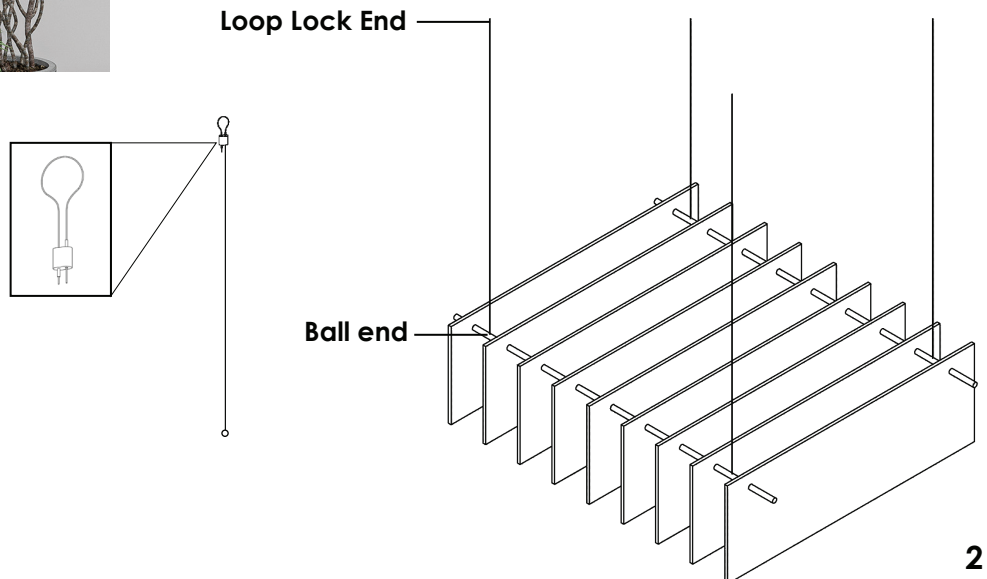
Step 2:

Once all baffles are placed correctly on the poles locate the holes to attach the cables



Step 3:

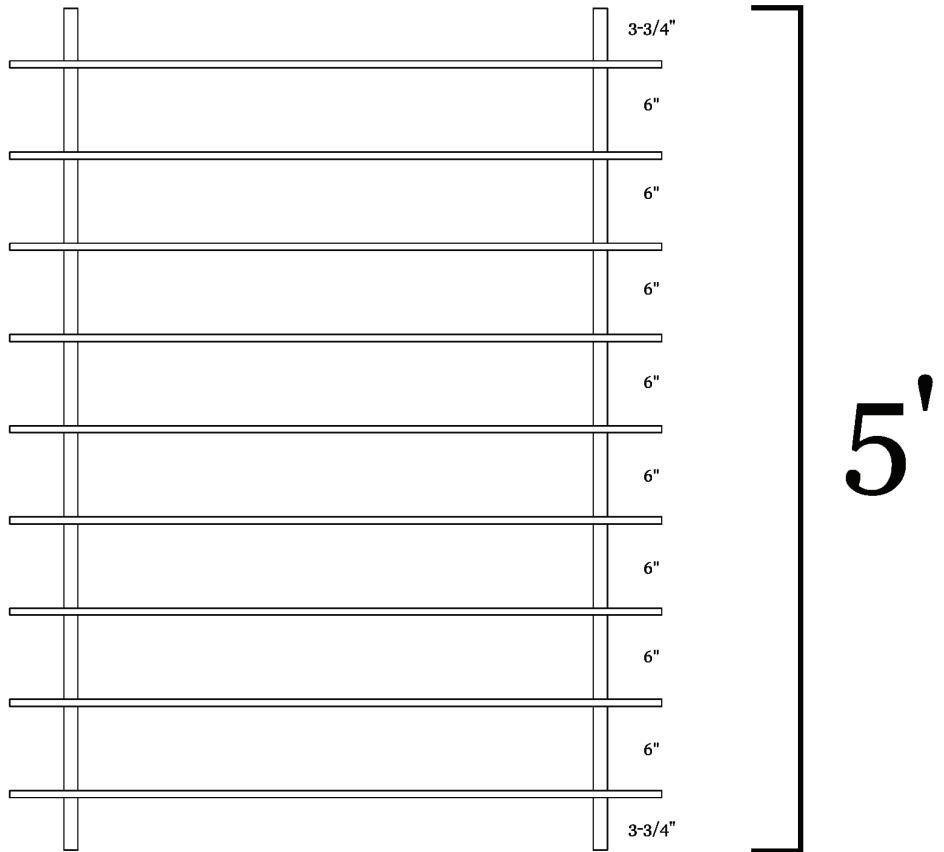
Insert cables with ball end on the bottom of the poles. Adjust height using the loop lock located on the top of the cables.



Measurements

Overall length of assembled baffles: 5'

*Leave 6" gap between each baffle panel.



Overall Dimensions of assembled baffles: 5' x 3' 10 1/2" x 1' 4"

