

eSCAPE MOUNTING OPTIONS

888-993-3757



Mounting Options



Our diverse mounting options allow you to create a safer space and increase privacy in nearly all work environments.

Table of Contents

Freestanding Mount..... 2

Edge Clamp with Knob.....3

**Desktop Mount/
Panel Top Mount.....4**

Edge Mount.....5

Double Edge Mount.....6

Removable Panel Mount.....7

Reviewing All Mounts.....8

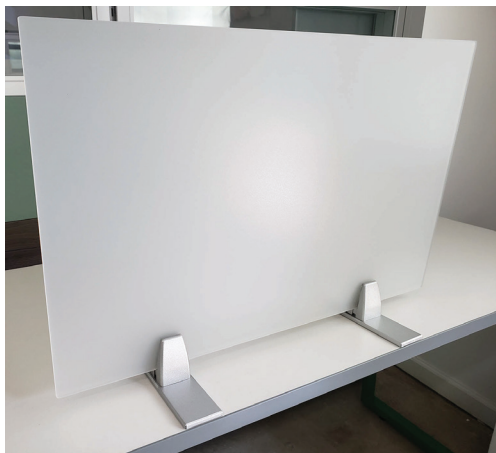


Freestanding Mount



Key Information

- Sits on top of the worksurface
- Removable for easy relocation
- Easy Assembly



Details

*This freestanding mount stands alone on top of the worksurface and does not have to be screwed into the worksurface or screen. Easily relocated where ever needed.

*Base dimensions: 2"W x 7 3/4"L

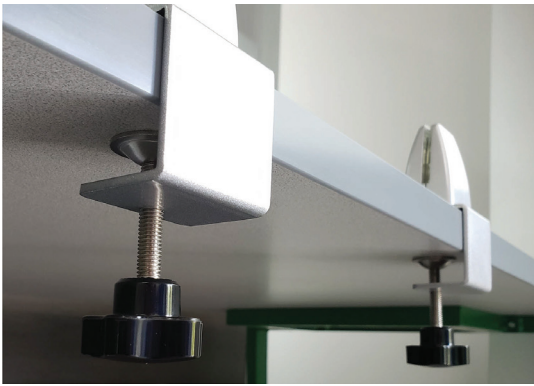


Edge Clamp with Knob



Key Information

- Mounts to edge of the worksurface
- Removable for easy relocation
- Adjustable knob



Details

*The edge clamp with knob is a removable mount which clamps to the edge of a worksurface and is secured by tightening the knob. There is no need to screw into the worksurface or screen. The top piece can also be rotated 90 degrees and mounted.

*Max Opening: 1 9/16"



Desktop Mount & Panel Top Mount



Key Information

- Mounts to top of the worksurface or the top of the cubicle panel
- Permanent mount
- Easy Assembly



Details

*The desktop/panel mount is secured to the top of the worksurface or top of the cubicle panel by using two screws to fasten to the worksurface/panel for a permanent solution.

*If using as a panel extender, the panels must be at least 1 1/2" thick.



Edge Mount



Key Information

- Mounts to edge of the worksurface
- Screws into worksurface for a permanent solution
- Alternate removable mounting option available



Details

*The edge mount is a permanent mount which clamps to the edge of the worksurface and is secured by screwing into the bottom of the worksurface. This mount can also come with an alternate attachment option using clamp screws to allow the mount to be removable.

*Mount Opening: 3/4"



Double Edge Mount



Alternate removable ▶
mounting option



Key Information

- Mounts between two worksurfaces
- Screws into worksurface for a permanent solution
- Alternate removable mounting option available

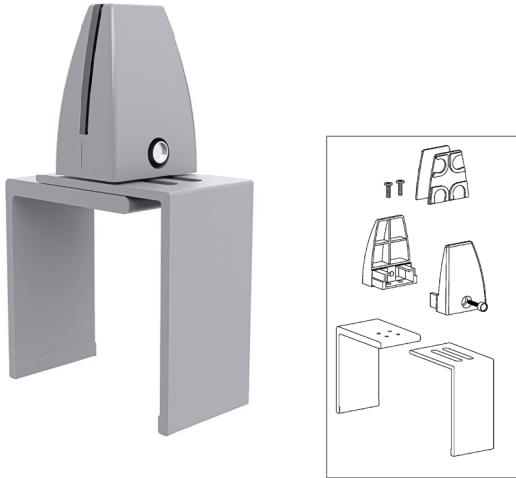
Details

*The double edge mount is a permanent mount between two worksurfaces clamping at the edges. It is secured by screwing into the bottom of the worksurface. This mount can also come with an alternate attachment option using clamp screws to allow the mount to be removed.

*Mount Openings: 3/4"

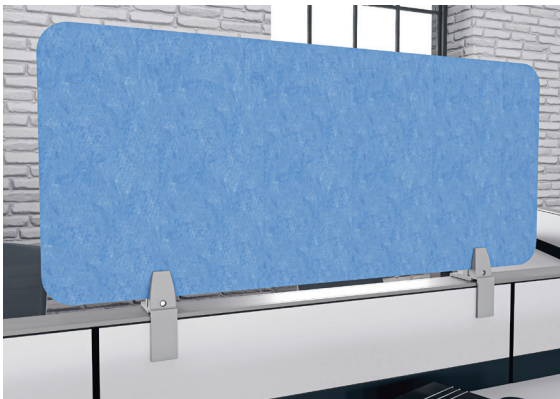


Removable Panel Mount



Key Information

- Clamps to top of cubicle panel
- Adjustable to thickness of panel
- Able to detach
- Easy Assembly



Details

*The panel mount is a removable mount which clamps to the top of the cubicle panel and is secured by tightening base plate over the panel and screwing top piece to base plate.

*Clamp Opening: min- 2 1/2" max- 3 1/2"



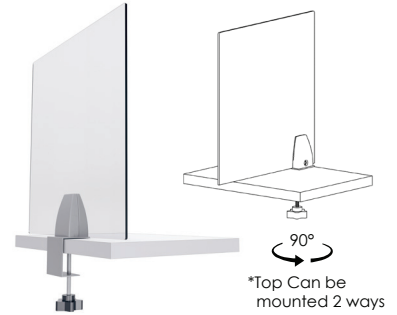


Edge Clamp with Knob

-Mounts to edge of the worksurface and is secured by tightening the knob to the worksurface.

*Max Opening: 1 9/16"

SKU: Edge-clamp-knob



Desk or Cubicle Mount Clamp Silver

-Mounts to top of the worksurface or the top of the cubicle panel

*If using as a panel extender, the panels must be at least 1 1/2" thick.

SKU: Desktop-partition-clamp



Single Partition Clamp

-Mounts to edge of the worksurface using screws (permanent and temporary options available)

*Mount Opening: 3/4"

SKU: Single-partition-clamp



Double Partition Clamp

-Mounts between two worksurfaces (permanent and temporary options available)

*Mount Openings: 3/4"

SKU: Double-partition-clamp

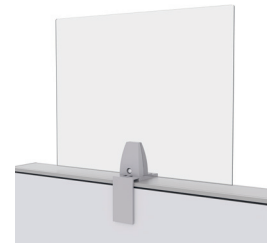


Removable Cubicle Extender Clip

-Clamps to the top of the cubicle panel. Able to adjust the width of the clamp.

*Clamp Opening: min- 2 1/2" max- 3 1/2"

SKU: Cubicle-extender-clamp



Desktop Clamp Base Plate

-Sits on top of the worksurface

*Base dimensions: 2"W x 7 3/4"L

SKU: desktop-clamp-base-plate

