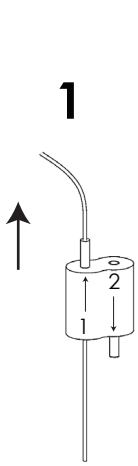




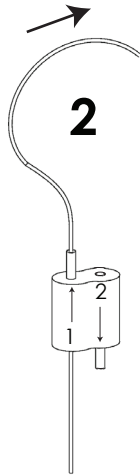
Hanging Acoustic Panel Installation Guide

Installing Hanging Hardware

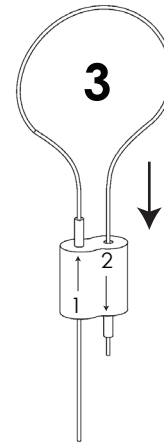
*Ceiling mount is not provided



Insert cable into looping gripper



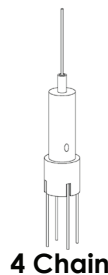
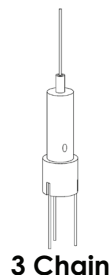
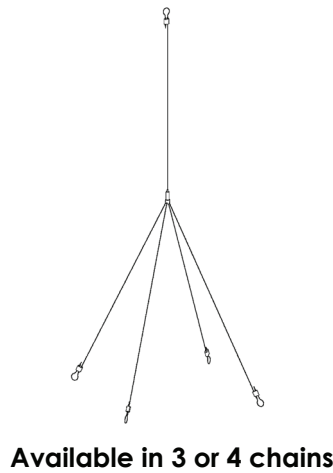
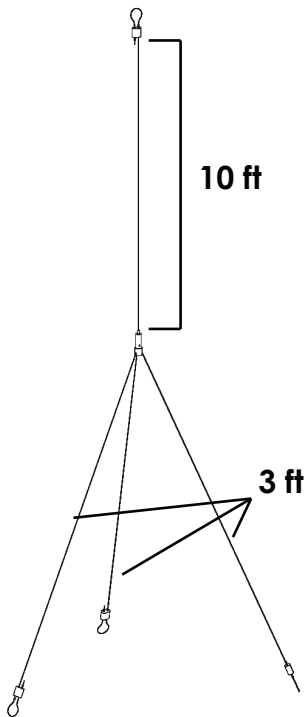
Pass cable through or around anchor point



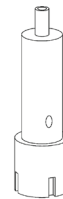
Insert cable back into looping gripper. Cable must exit looper gripper by a minimum of 1 in.

Identifying Parts

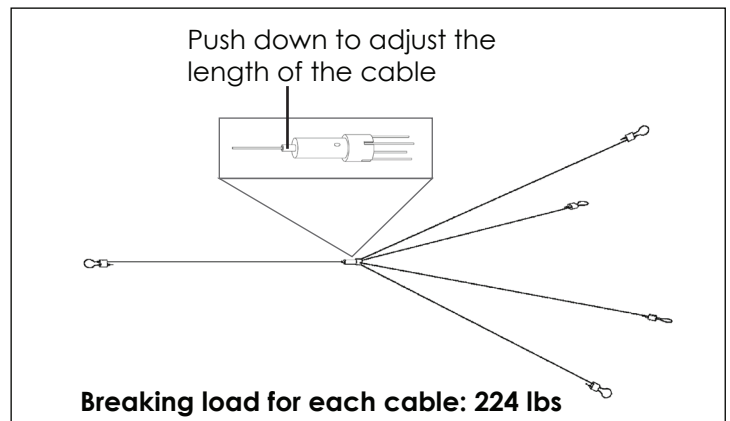
*Wire can be cut to size but must be cut at an angle



Brass Adjuster (Griplock)



D-ring with chain and looping gripper

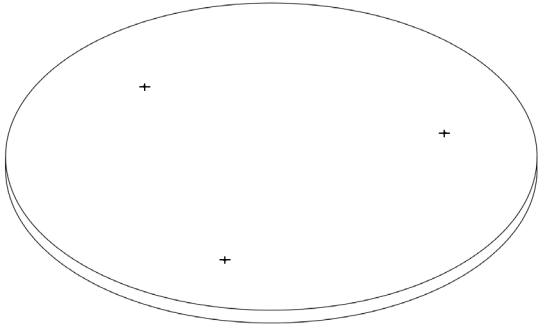


HANGING CIRCLE PANELS

*D-ring quantity varies based on the size of the panels.

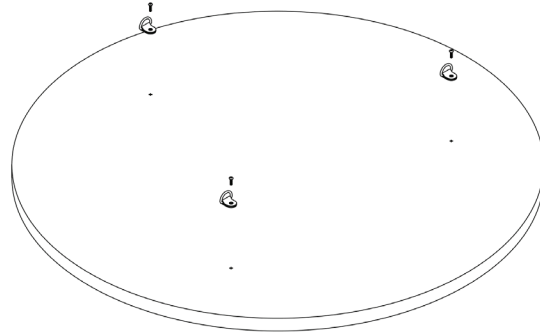
Step 1:

Locate markings on circle panel.

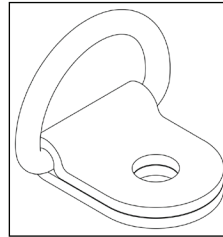


Step 2:

Place D-rings on panel in marked areas and attach with screws provided.

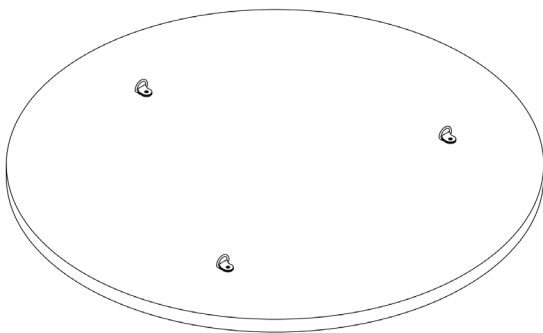


D-ring close-up



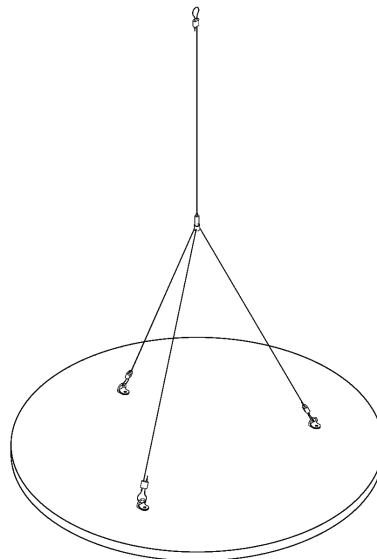
Step 3:

Secure D-rings in place.



Step 4:

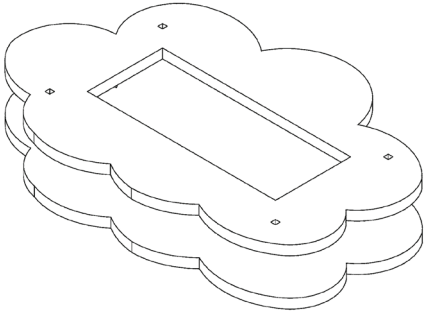
Attach chains and hang in desired location.



*D-ring quantity varies based on the size of the panels.

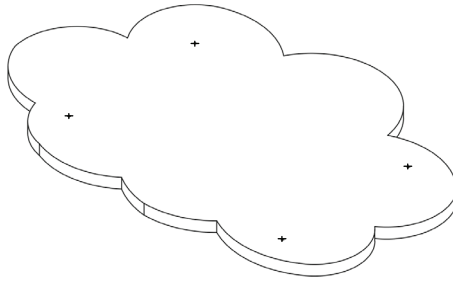
Step 1:

Use provided template to make markings for D-Rings.



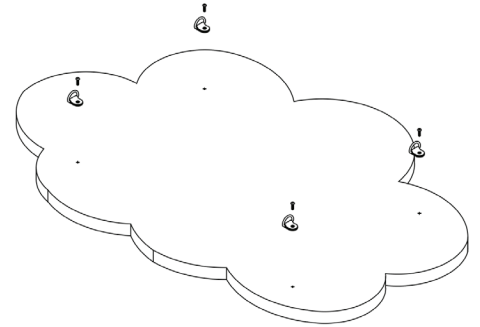
Step 2:

Locate markings on cloud panel.



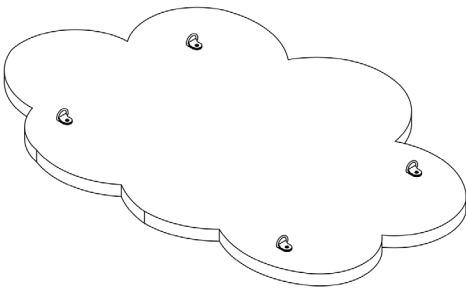
Step 3:

Place D-rings on panel in marked areas and attach with screws provided.



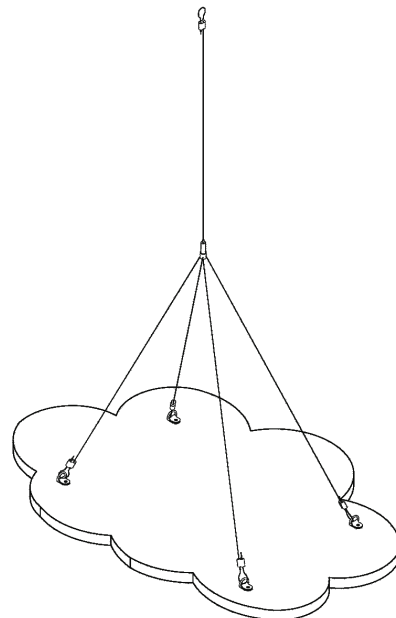
Step 4:

Secure D-rings in place.



Step 5:

Attach chains and hang in desired location.

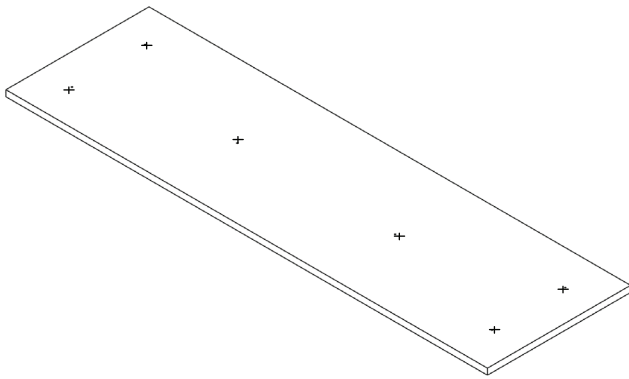


HANGING RECTANGLE PANELS

*D-ring quantity varies based on the size of the panels.

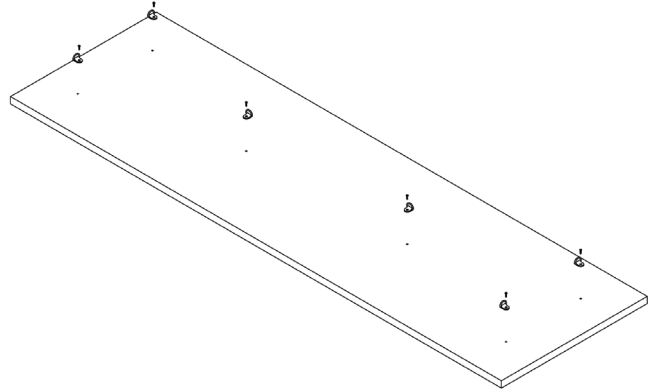
Step 1:

Locate markings on rectangle panel.



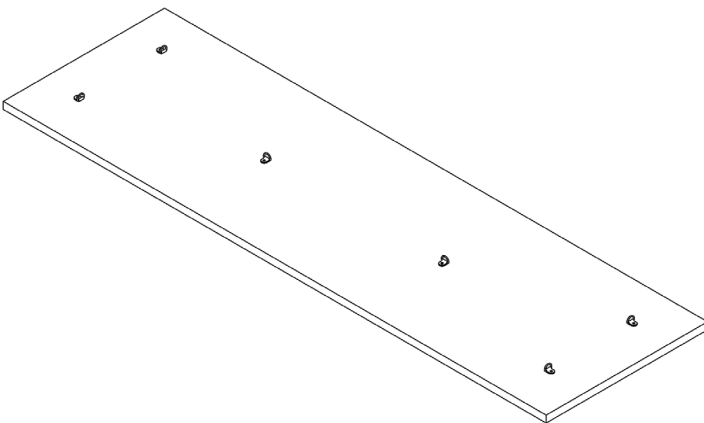
Step 2:

Place D-rings on panel in marked areas and attach with screws provided.



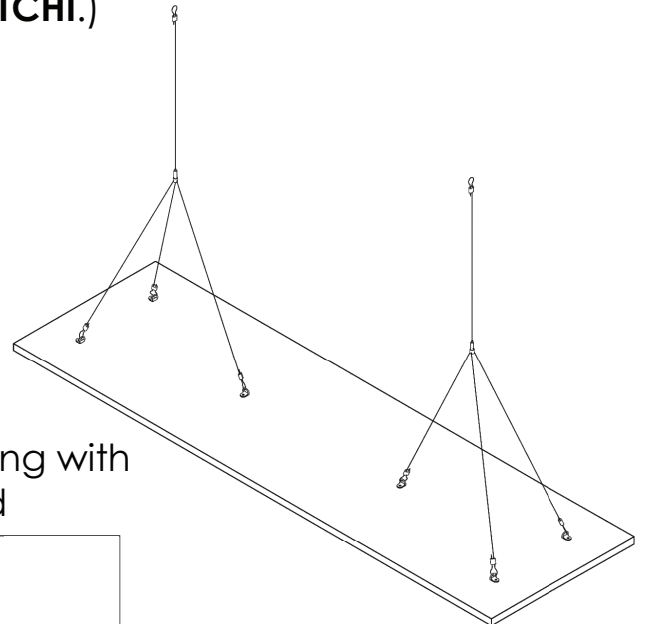
Step 3:

Secure D-rings in place.

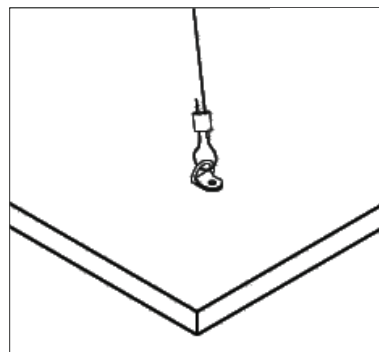


Step 4:

Attach chains and hang in desired location. (**Chains are not provided by SKUTCHI.**)



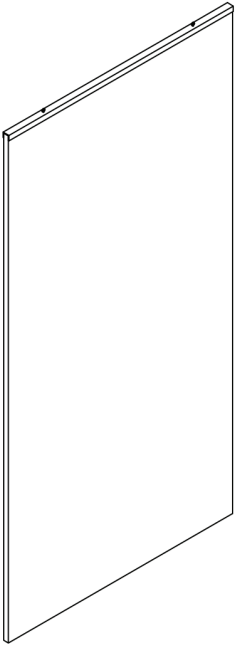
Close-up of D-ring with chain attached



HANGING RECTANGLE PANELS

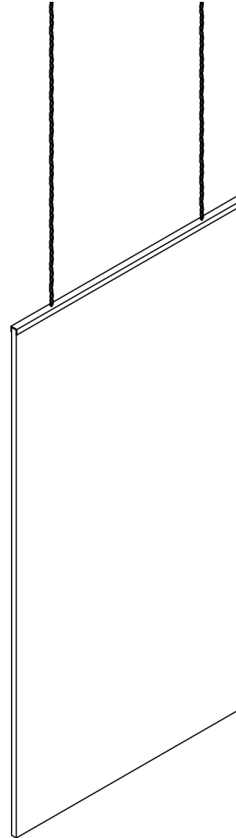
Step 1:

Panel will come with U-channel already attached.

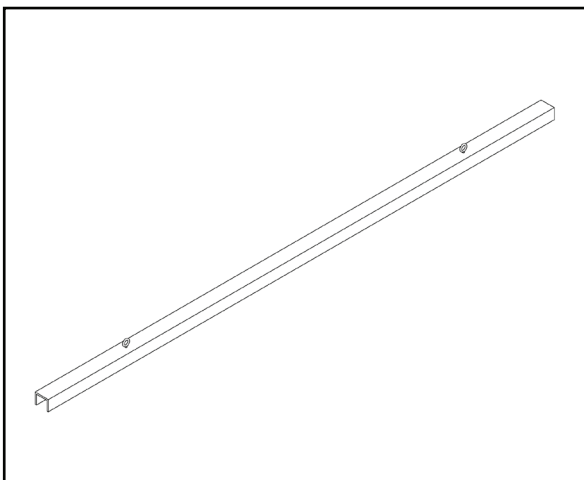


Step 2:

Attach chains and hang in desired location. (**Chains are not provided by SKUTCHI.**)



Close-up of U-channel



Close-up of U-channel with chain attached

