

# HARMONY

CONFERENCE SERIES



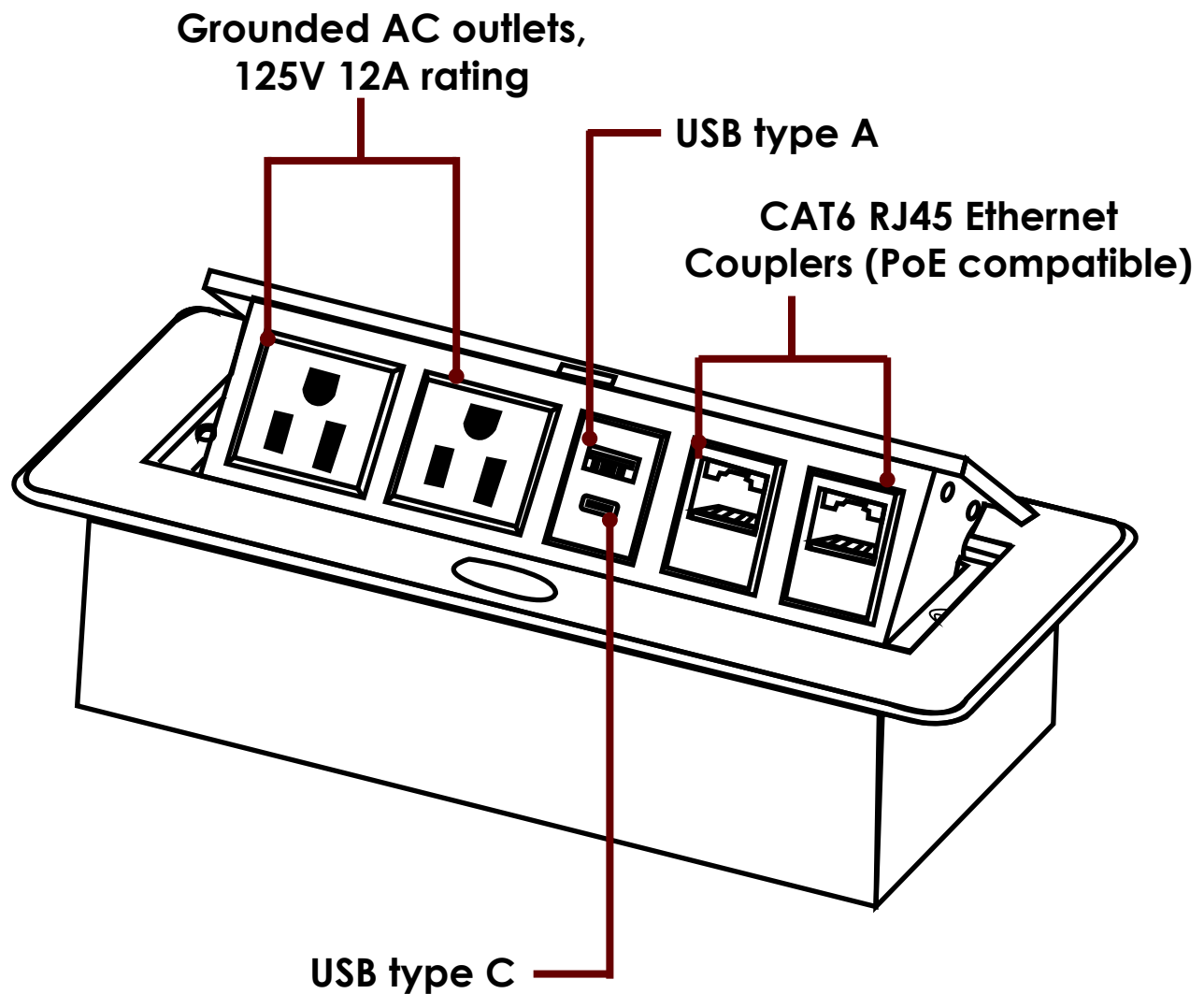
## Electrical Module Installation Guide



888-993-3757

## Module Includes:

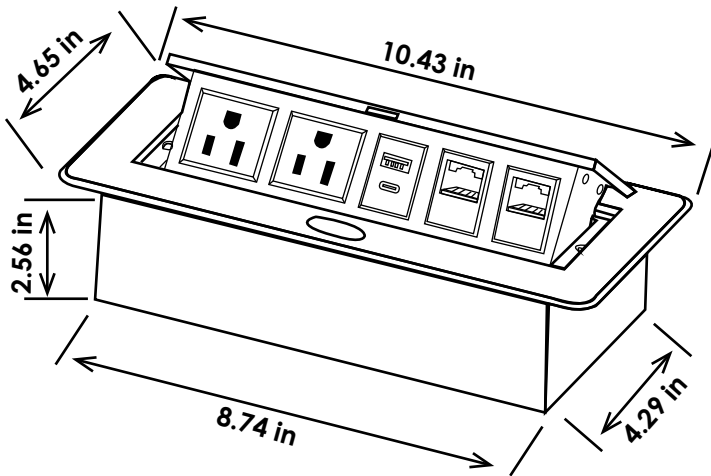
- (2) grounded AC outlets, 125V 12A rating
- (1) USB type A charger
- (1) USB type C charger
- (2) CAT6-RJ45 Ethernet coupler (PoE compatible)



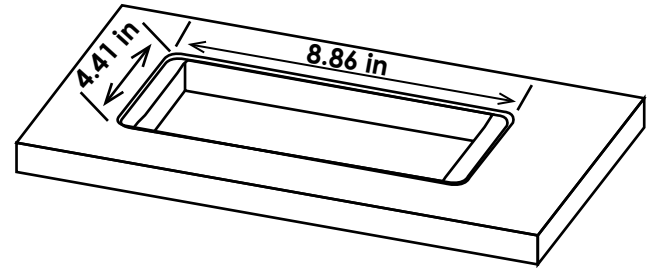
888-993-3757

**Product Size:** 10.43" x 4.65" x 2.68"

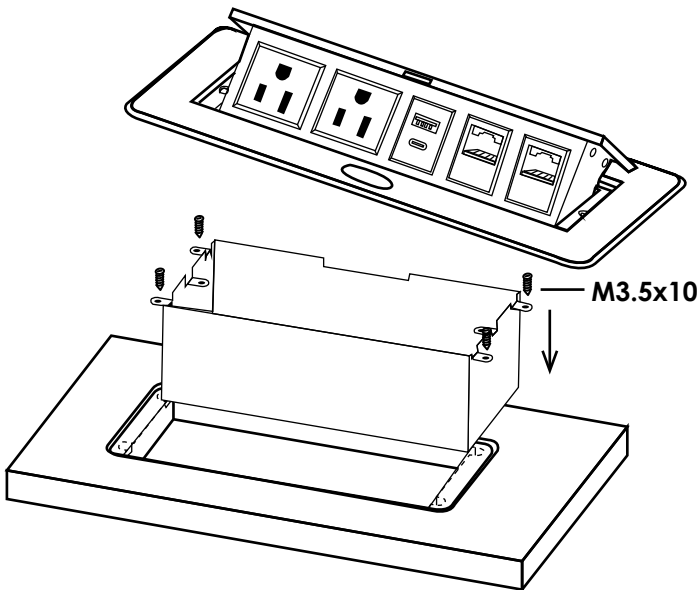
**Bottom Box Size:** 8.74" x 4.29" x 2.56"



- 1 Make a hole in the table  
**Hole Size:** 8.86" x 4.41"



- 2 Install the bottom box into the appointed place and secure firmly with screws



- 3 Secure electrical by locking the two screws on both sides tightly.

**\*Indoor Use Only**

