



HARMONY



CONFERENCE SERIES

Installation Guide



888-993-3757

***General Instructions:**
Actual product may vary slightly

What You'll Need:

to assemble tables and bases.



***Please Note:** The sizing of screws are different for the top plate of the bases and bottom plate of the bases. Be sure to check sizing before installing.



Use these screws for
attaching top plate in
place



Use these screws for
attaching bottom base in
place

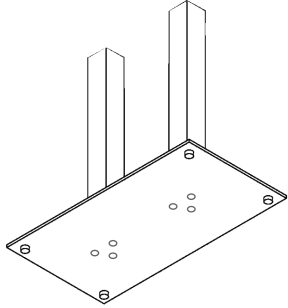
***General Instructions:**
Actual product may vary slightly

Assembling the table bases.

View image **1A.** to identify parts.

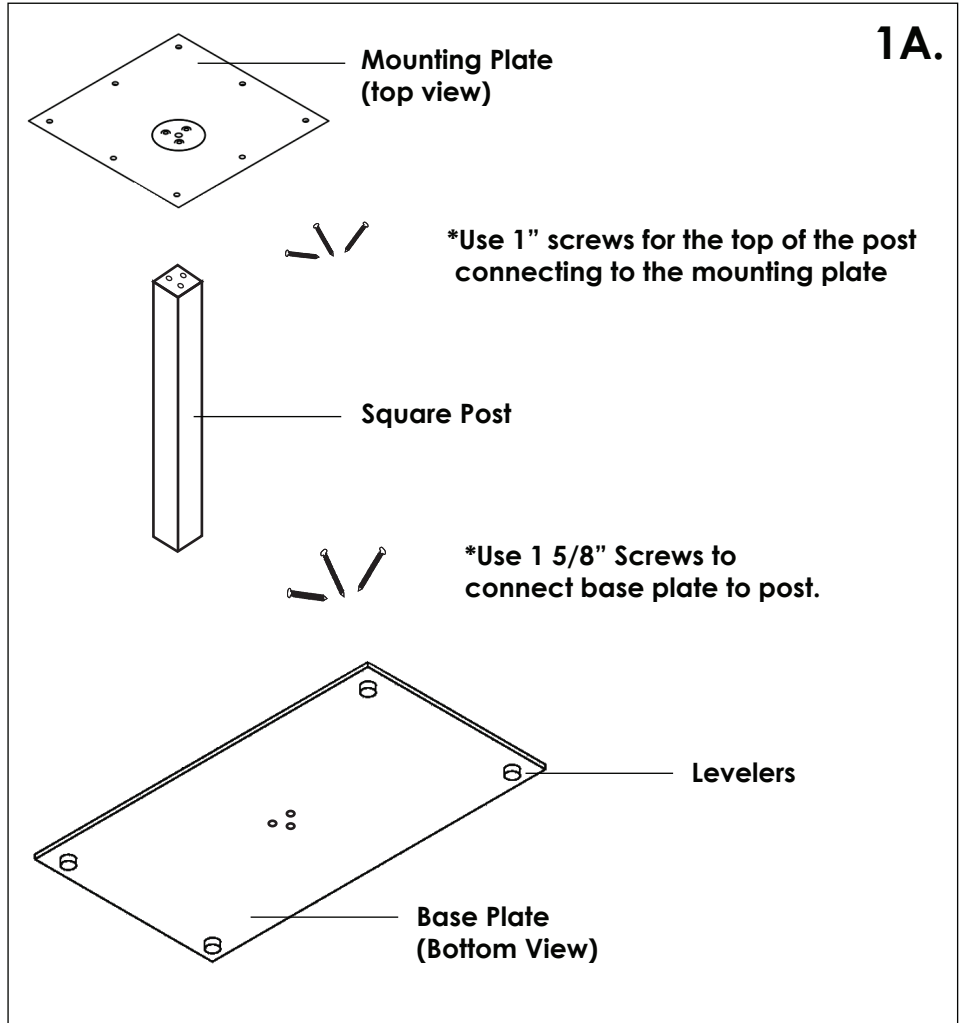
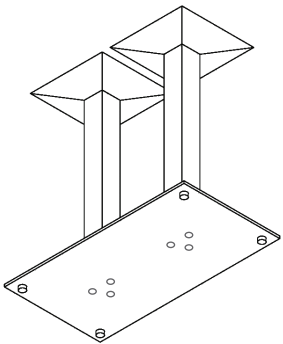
Step 1:

Connect the post(s) to the base plate using long 1 5/8" screws.

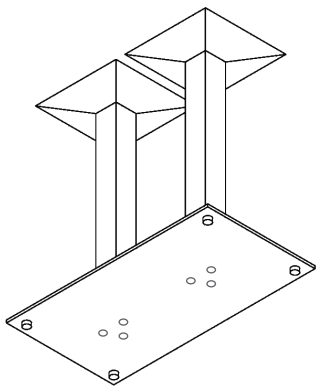


Step 2:

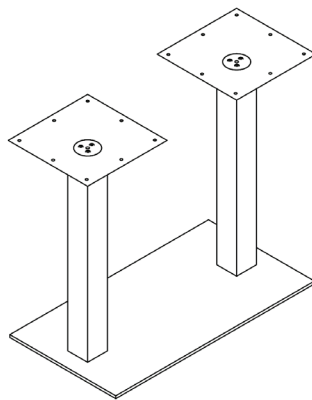
Connect the mounting plate to the assembled post using the 1" screws



Assembled Base



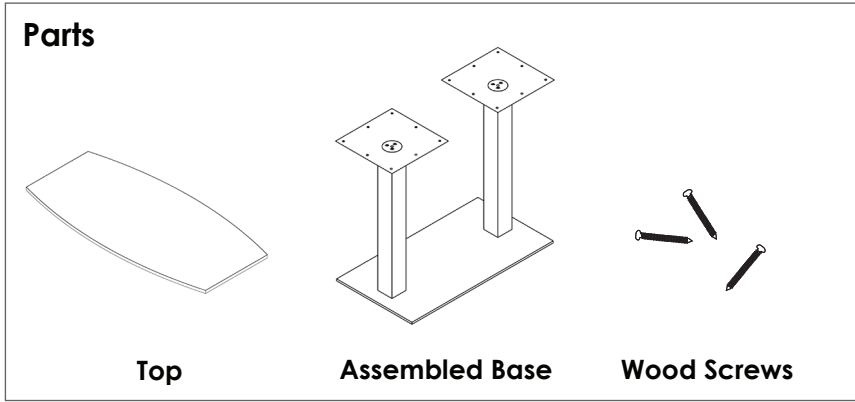
Bottom View



Top View

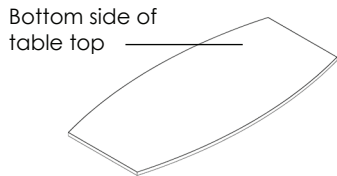
***General Instructions:**
Actual product may vary slightly

Installing a Double Base



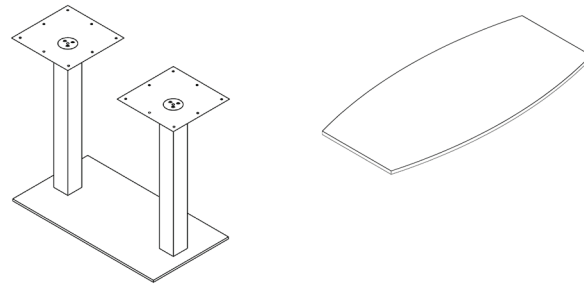
Step 1:

Turn over top to be able to screw in the base.



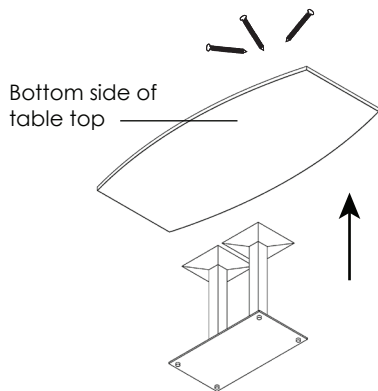
Step 2:

Next place the side of the base with the holes on to the top and make sure it is centered.



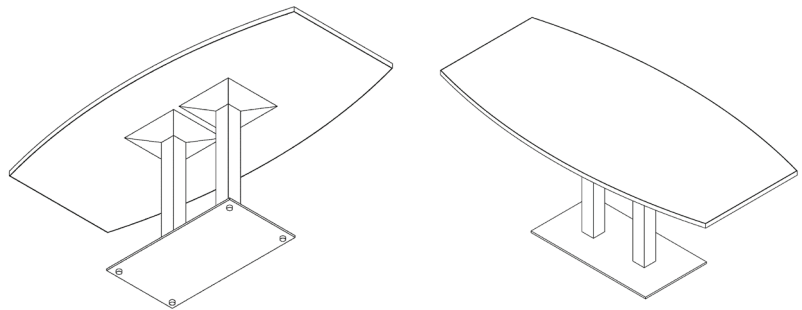
Step 3:

Screw the base to the work surface using screws that are provided.



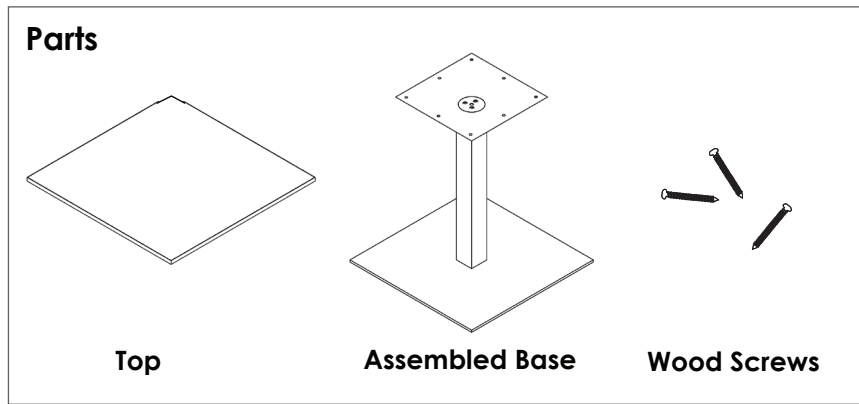
Step 4:

Stand table right side up.



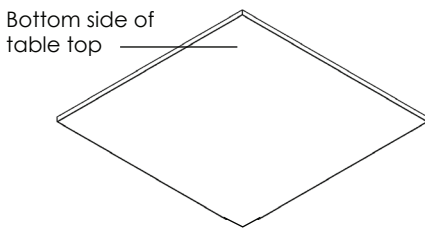
***General Instructions:**
Actual product may vary slightly

Installing a Square Base



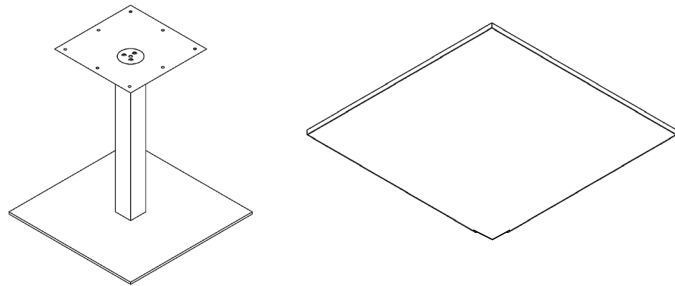
Step 1:

Turn over top to be able to screw in the base.



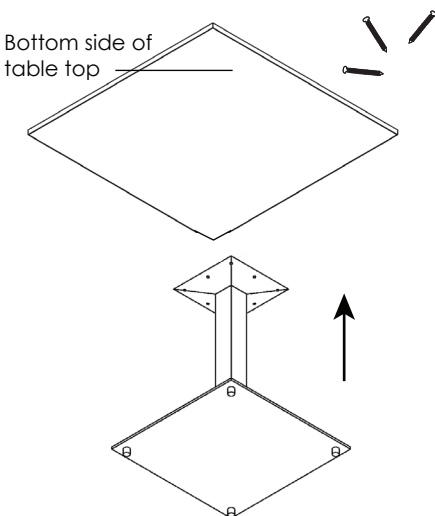
Step 2:

Next place the side of the base with the holes on to the top and make sure it is centered.



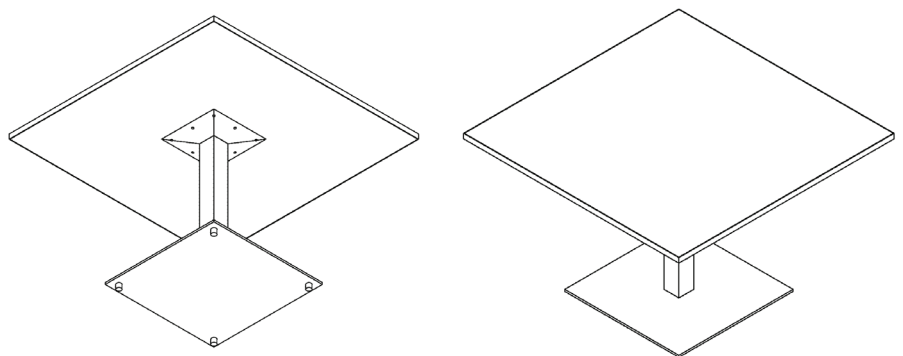
Step 3:

Screw the base to the worksurface using screws that are provided.



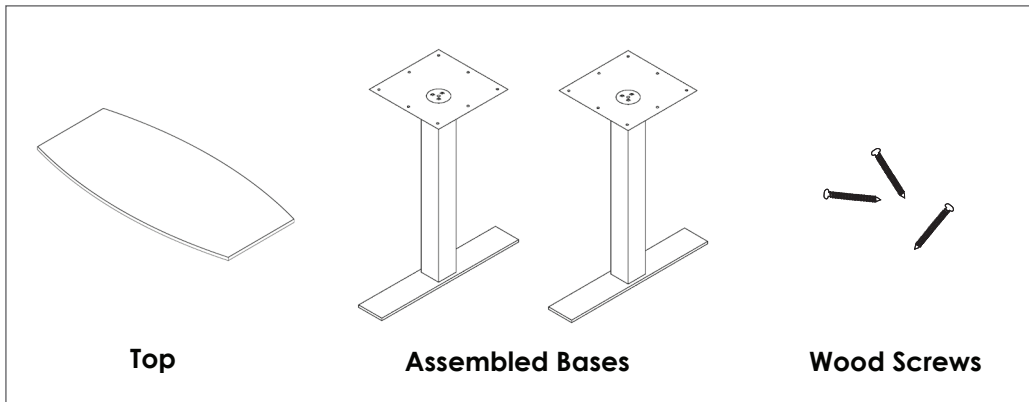
Step 4:

Stand table right side up.



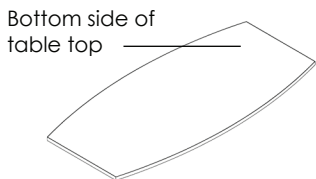
***General Instructions:**
Actual product may vary slightly

Installing a T Base



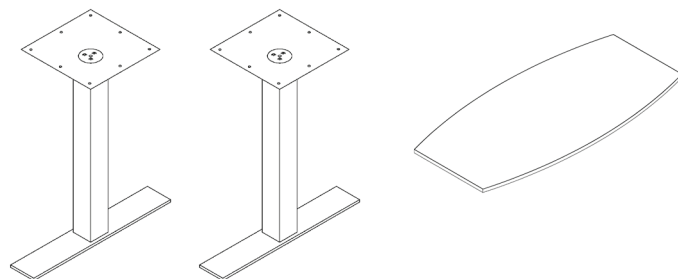
Step 1:

Turn over top to be able to screw in the base.



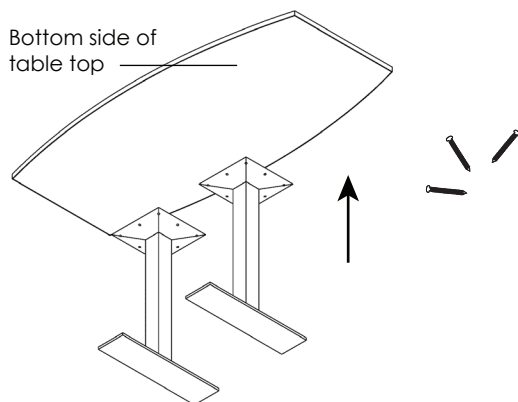
Step 2:

Next, place the side of the bases with the holes on to the top and make sure they are lined up correctly.



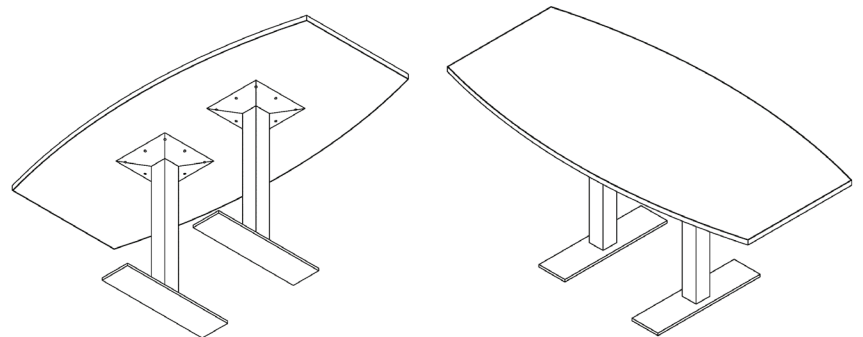
Step 3:

Screw the bases to the work surface using screws that are provided.



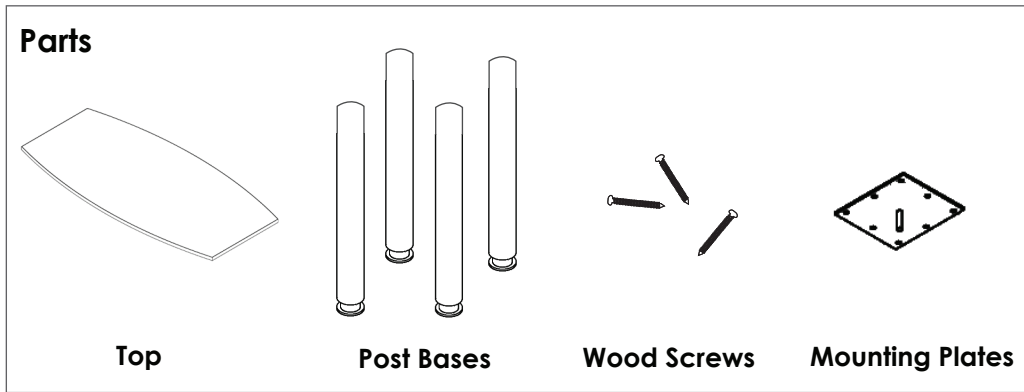
Step 4:

Stand table right side up.



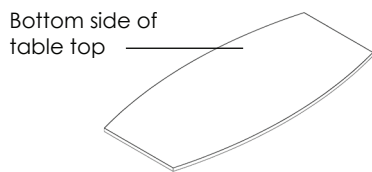
***General Instructions:**
Actual product may vary slightly

Installing a Post Base



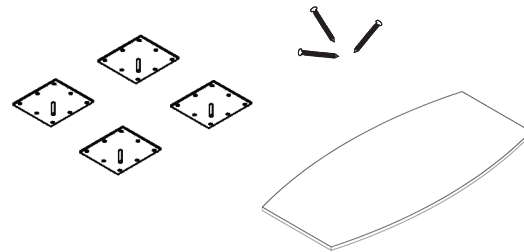
Step 1:

Turn over top to be able to screw in the bases.



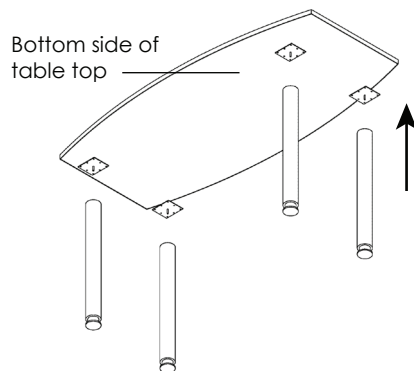
Step 2:

Next attach the mounting plates to the table in correct areas and screw in place.



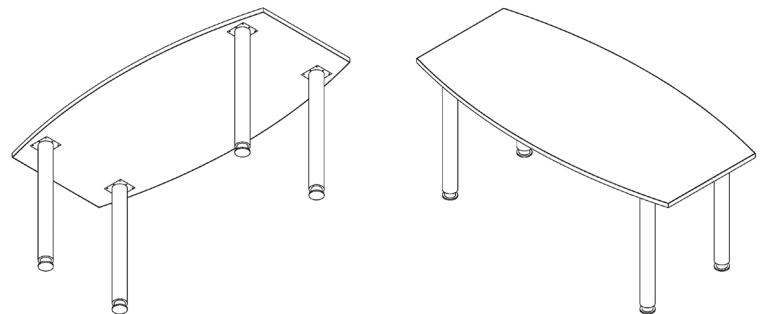
Step 3:

Attach the post bases to the mounting plates by inserting mounting plate screw into hole of post leg and turning to secure tightly.



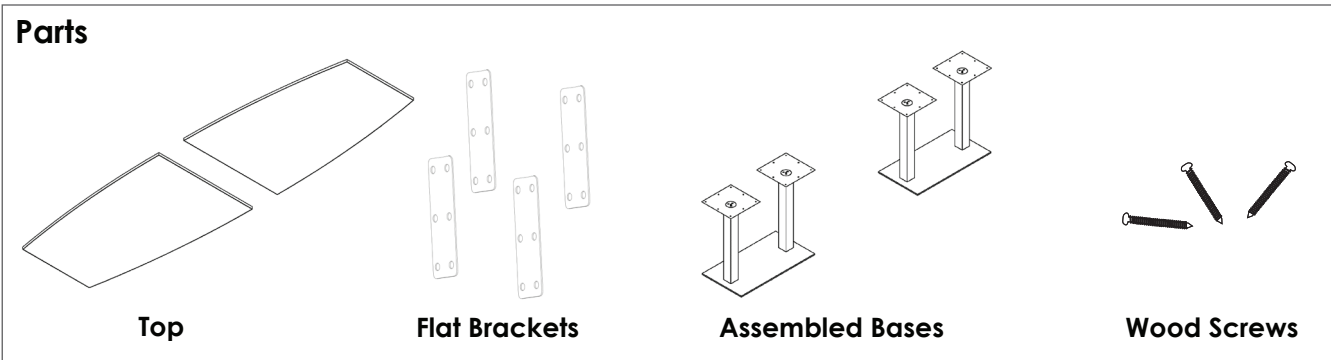
Step 4:

Stand table right side up.



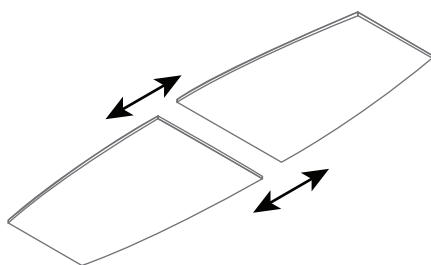
***General Instructions:**
Actual product may vary slightly

Installation for 2 bases with two table tops



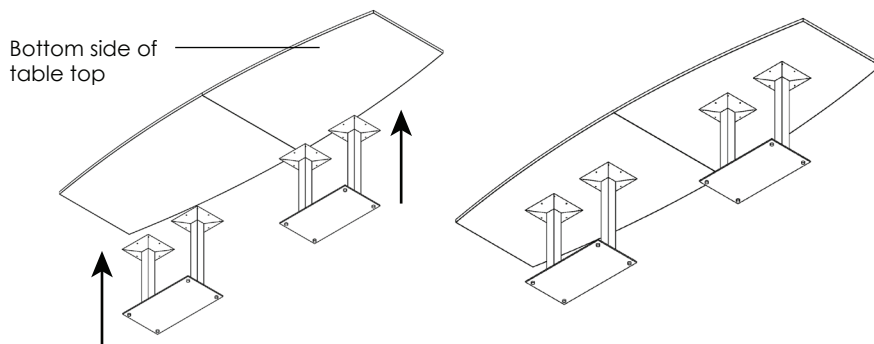
Step 1:

Turn over tops and slide together to be able to screw in the bases.



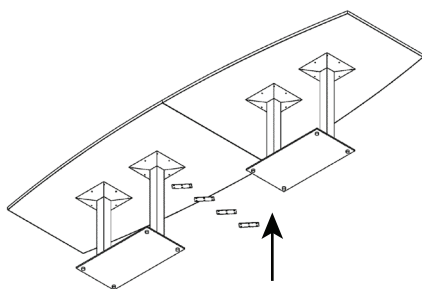
Step 2:

Next place one base on each table top and center it. Attach bases by the side with the holes on to the top. Screw the bases into the top.



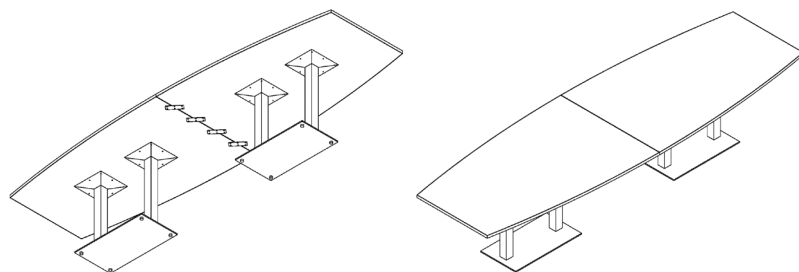
Step 3:

After the two bases are attached, place flat brackets on the connecting line of the tops at an angle (see image below). Then screw into place.



Step 4:

Stand table right side up.



Flat Bracket

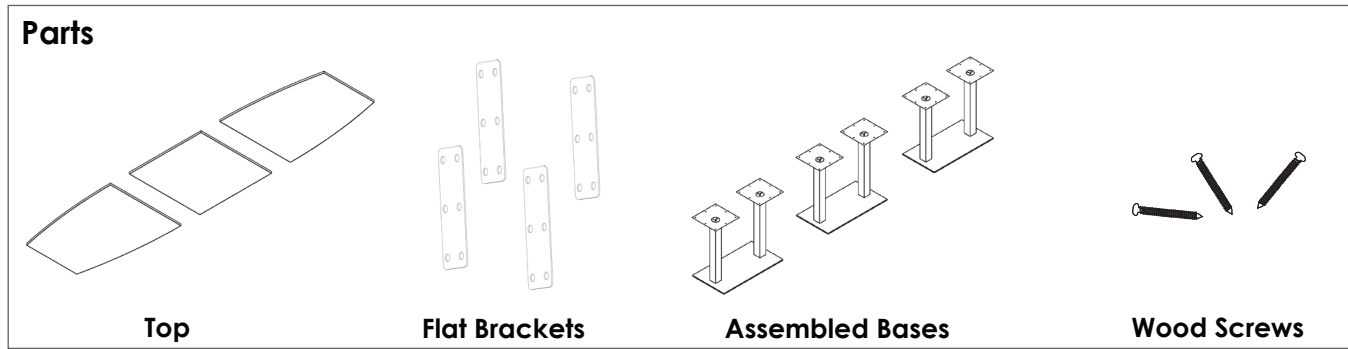
Flat Brackets will be needed on certain size tables for extra support.

***Make sure flat brackets are secure before attaching a third base or standing table upright.**



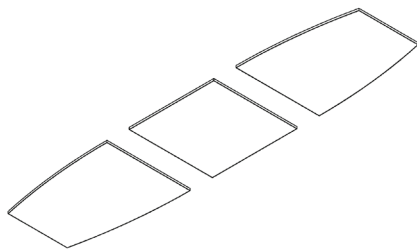
***General Instructions:**
Actual product may vary slightly

Installation for 3 or more bases with 3 table tops



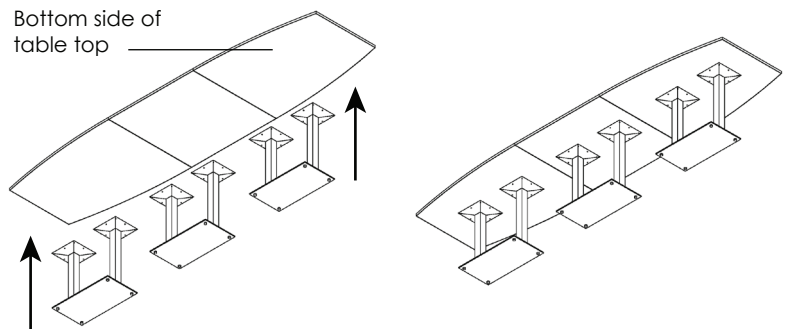
Step 1:

Turn over tops and slide together to be able to screw in the bases.



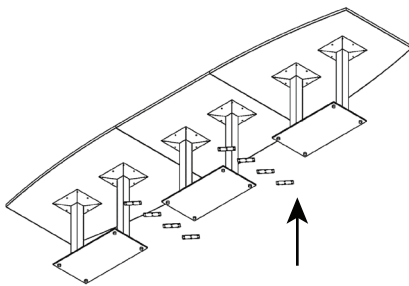
Step 2:

Next place one base on each table top and center it. Attach bases by the side with the holes on to the top. Screw the bases into the top.



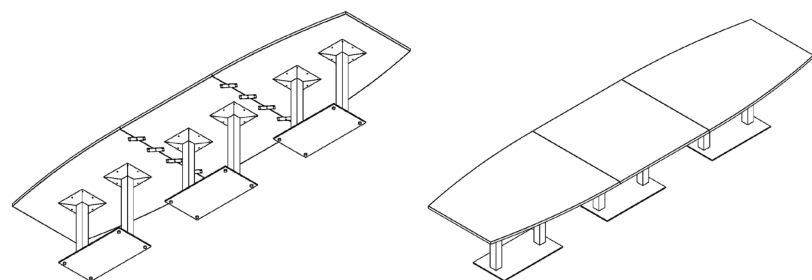
Step 3:

After the three bases are attached, place flat brackets on the connecting lines of the tops at an angle (see image below). Then screw into place.



Step 4:

Stand table right side up.



View Installation Video Here:

<https://www.youtube.com/watch?v=nsuScowoYMg>

