

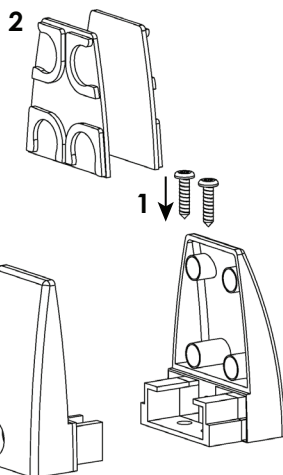
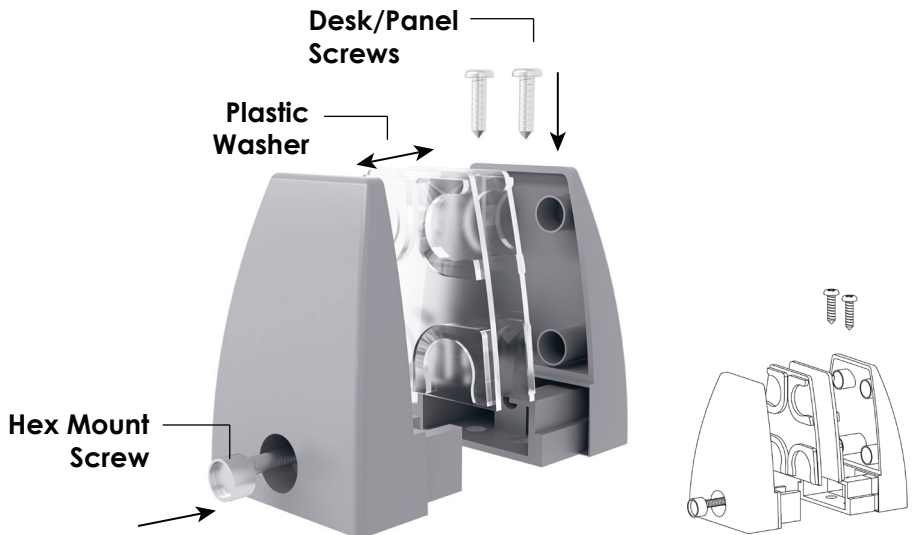
Installing the Panel and Above Desktop Mount



Panel Mount
Shown in Acrylic



Desk Mount
Shown in PET



Step 1:

Insert 2 small screws into the 2 small holes on the mount from the top.

Step 2:

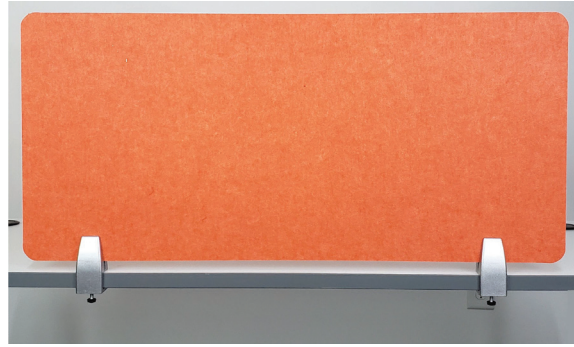
(DO NOT USE WASHER with the eSCAPE ACOUSTICAL Pet Material. ONLY to be used with Acrylic)

Attach plastic washers onto the insides of the mount to protect the acrylic screen and make it more secure

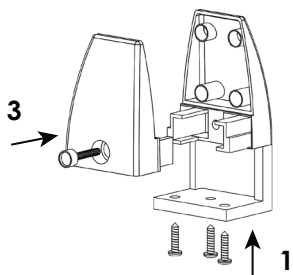
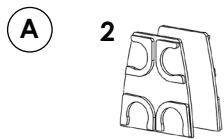
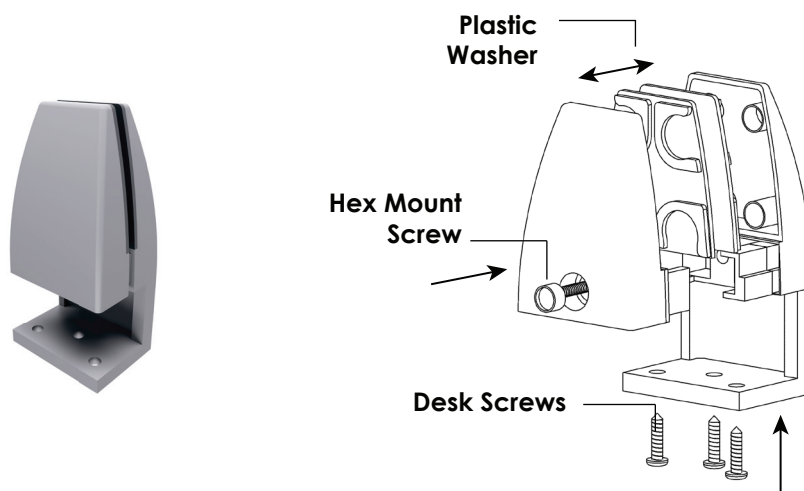
Step 3:

Place screen between bracket and squeeze clamp closed while screwing in hex bolt to connect the mount together and to be able to secure the screen

Installing the Single Edge Desk Mount



Single Desk Mount
Shown in PET

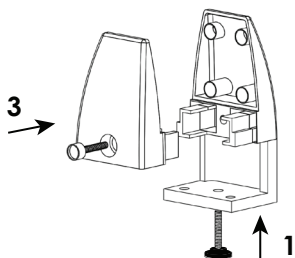
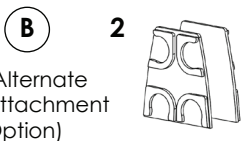


Step 1: (Option A or Option B)

A. (Permanent screw option) Insert 3 small screws into the 3 small holes from the bottom of the mount and screw into worksurface.

(Alternate Attachment Option)

B. (Removable screw option) Tighten the clamp screw through the middle hole from the bottom of the mount to the worksurface to hold mount in place.



Step 2: (DO NOT USE WASHER with the eSCAPE ACOUSTICAL Pet Material. ONLY to be used with Acrylic)

Attach plastic washers onto the insides of the mount to protect the acrylic screen and make it more secure

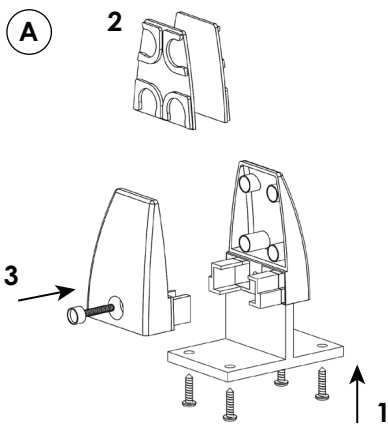
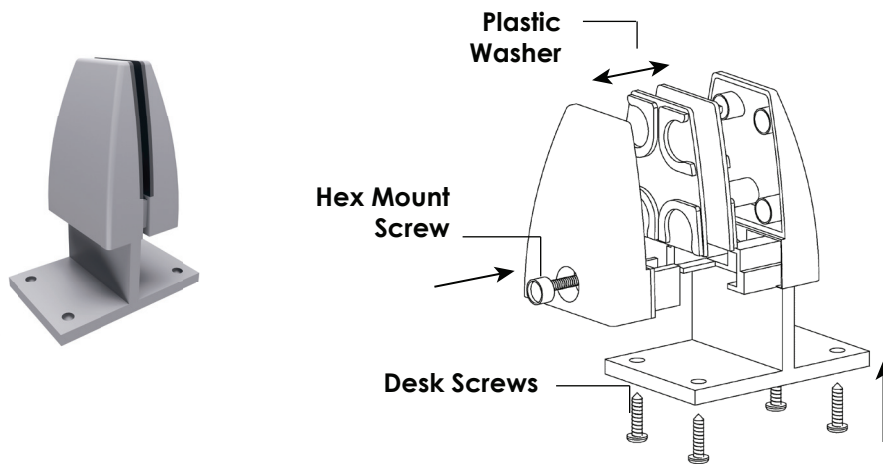
Step 3:

Place screen between bracket and squeeze clamp closed while screwing in hex bolt to connect the mount together and to be able to secure the screen

Installing the Double Edge Desk Mount



Double Desk Mount
Shown in Acrylic



Step 1: (Option A or Option B)

A. (Permanent screw option) Insert 4 small screws into the 4 small holes from the bottom of the mount and screw into worksurface.

(Alternate Attachment Option)

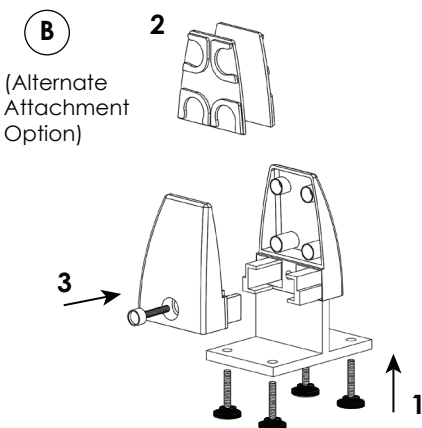
B. (Removable screw option) Tighten the 4 clamp screws through the 4 holes from the bottom of the mount to the worksurface to hold mount in place.

Step 2: (DO NOT USE WASHER with the eSCAPE ACOUSTICAL Pet Material. ONLY to be used with Acrylic)

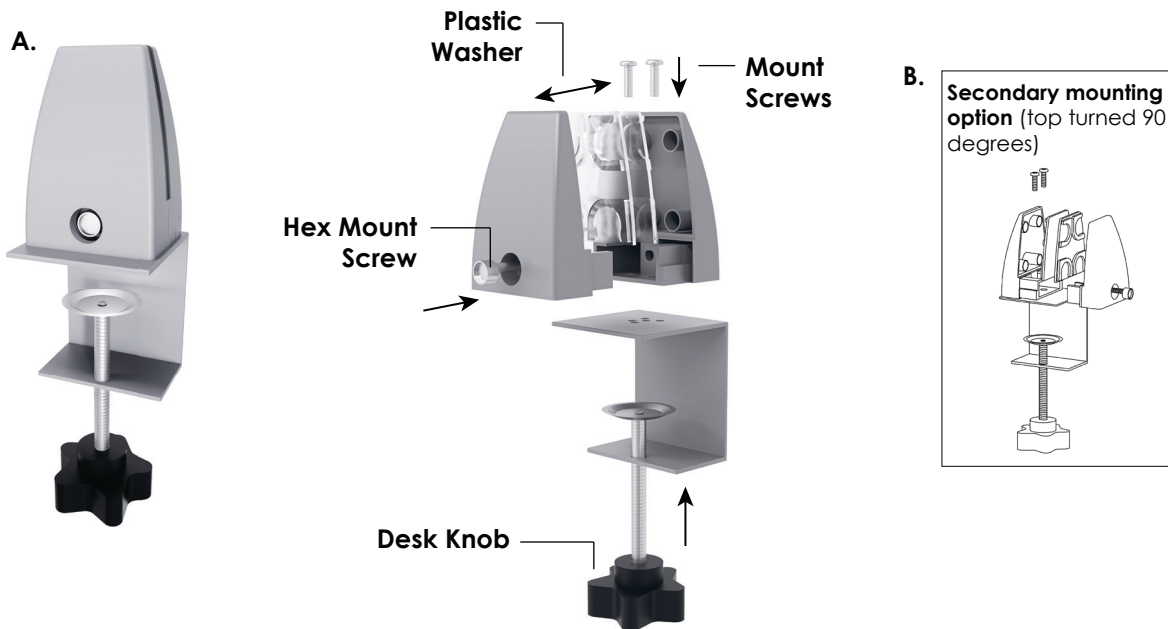
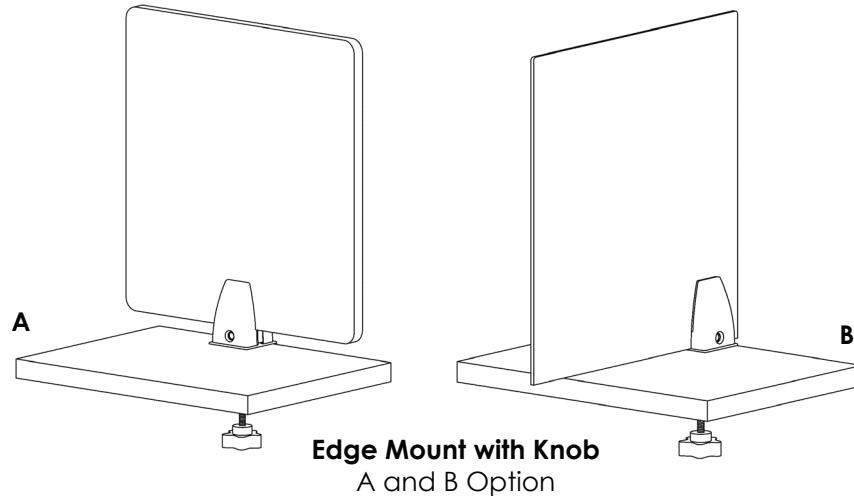
Attach plastic washers onto the insides of the mount to protect the acrylic screen and make it more secure

Step 3:

Place screen between bracket and squeeze clamp closed while screwing in hex bolt to connect the mount together and to be able to secure the screen



Installing the Edge Mount with Knob



Step 1:

Connect mount to edge clamp using the 2 small screws.

Step 2:

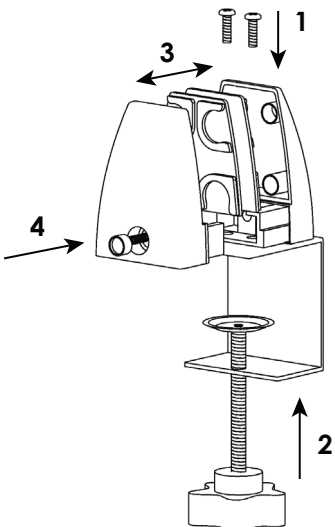
Use knob to clamp mount to worksurface.

Step 3: (DO NOT USE WASHER with the eSCAPE ACOUSTICAL Pet Material. ONLY to be used with Acrylic)

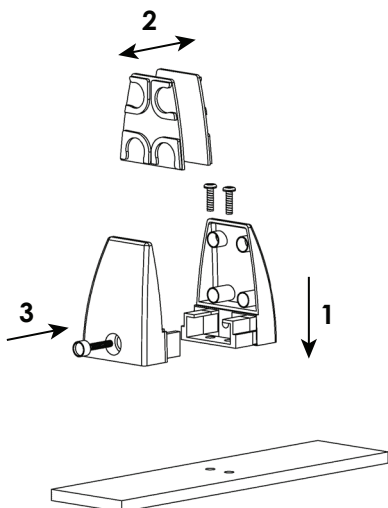
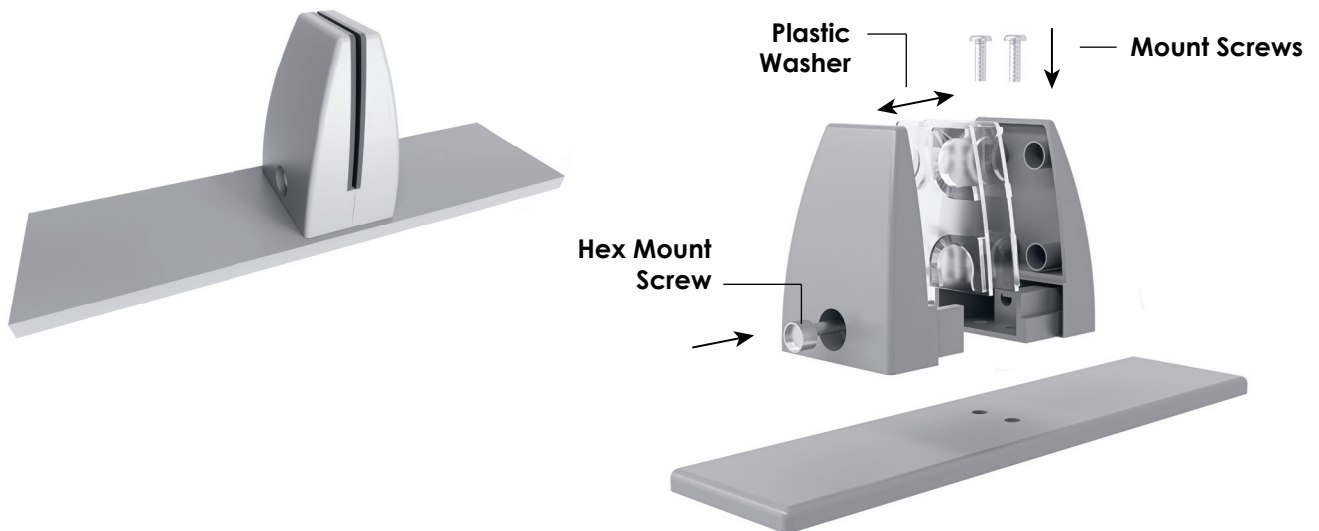
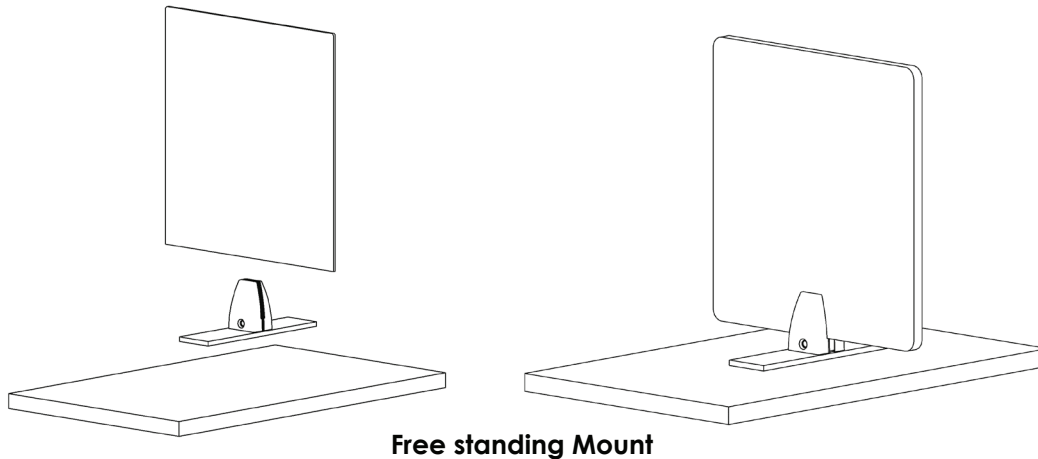
Attach plastic washers onto the insides of the mount to protect the acrylic screen and make it more secure

Step 4:

Place screen between bracket and squeeze clamp closed while screwing in hex bolt to connect the mount together and to be able to secure the screen



Installing the Free Standing Mount



Step 1:

Connect mount to base plate using the 2 small screws.

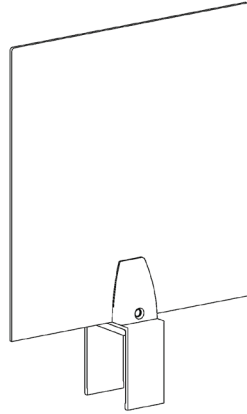
Step 2: (DO NOT USE WASHER with the eSCAPE ACOUSTICAL Pet Material. ONLY to be used with Acrylic)

Attach plastic washers onto the insides of the mount to protect the acrylic screen and make it more secure

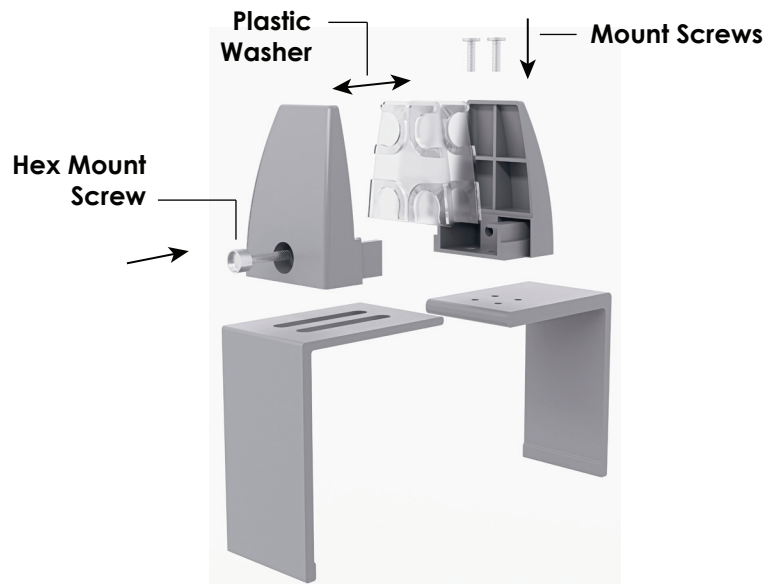
Step 3:

Place screen between bracket and squeeze clamp closed while screwing in hex bolt to connect the mount together and to be able to secure the screen

Installing the Removable Panel Extender Clamp



Removable Panel Extender Clamp



Step 1:

Close base plate onto panel.

Step 2:

To secure onto panel, connect mount to base plate using the 2 small screws. This will also hold base plate in place.

Step 3: (DO NOT USE WASHER with the eSCAPE ACOUSTICAL Pet Material. ONLY to be used with Acrylic)

Attach plastic washers onto the insides of the mount to protect the acrylic screen and make it more secure

Step 4:

Place screen between mount and squeeze clamp closed while screwing in hex bolt to connect the mount together and to be able to secure the screen

